

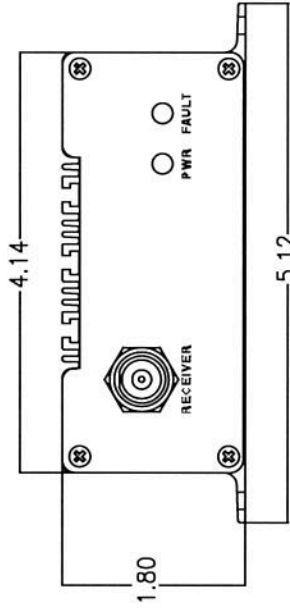
1 2 3 4 5 6

A

Contact us for product details and pricing
NavtechGPS
 +1-703-256-8900 or 800-628-0885
 info@NavtechGPS.com
 www.NavtechGPS.com



BACK



FRONT

SPECIFICATIONS:

ENCLOSURE: EXTRUDED ALUMINUM
 COLOUR: BLACK (POWDER COATED)
 WEIGHT: <.6 kg (1.3 lbs.)
 TEMPERATURE; STORAGE: -50° C TO +85° C
 TEMPERATURE; OPERATING: 0° C TO +50° C
 RELATIVE HUMIDITY: 0-95% NON-CONDENSING

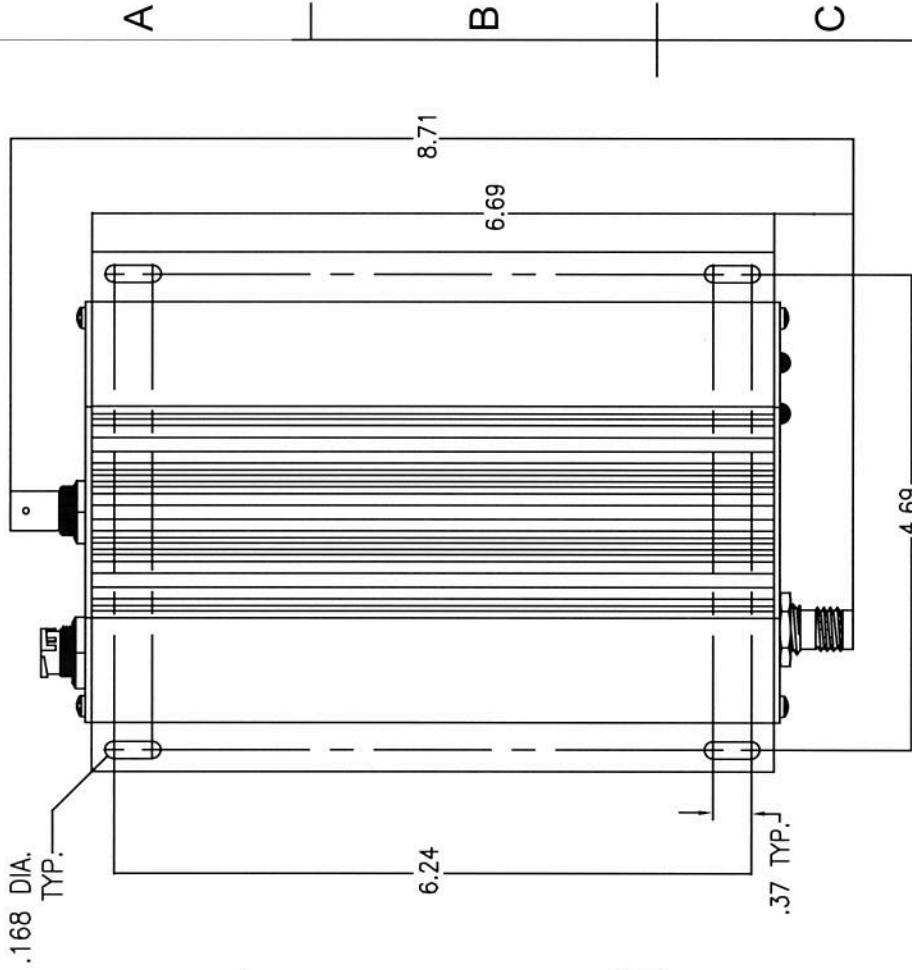
GPS FREQUENCY: L1
 INPUT/OUTPUT IMPEDANCE: 50Ω
 CABLE DISTANCE: 457.2 m max. (1500 ft. max.)
 COAX CABLE TYPE: 50Ω

INPUT CONNECTIONS:

BNC FEMALE: TO DOWN CONVERTER ANTENNA.
 3 PIN 12VDC ±10% @ 150mA TYPICAL (EXTERNAL POWER)
 OR 5-12VDC @ 150mA TYPICAL VIA RECEIVER COAX.
 (DURING FAULT 310mA)

OUTPUT CONNECTIONS:

TNC FEMALE: TO GPS RECEIVER, CABLE DISTANCE 30m max.(100 ft. max)
 TO BE USED IN DUC KIT 515522 (INCLUDES POWER SUPPLY).



A

B

C

D

Part Descriptor: UP CONVERTER		Part No: 514733	Issue: C	HW Version: -
Author: <i>JD</i>	Checked: <i>hoy cy</i>	Approved: <i>cy</i>	Date: 07/06/2018	Material: VARIOUS
Forsberg Services Ltd. Richmond House White Cross Lancaster LA1 4XF U.K.				
		Weight: <.6Kg	Scale: NTS	Unless Otherwise Specified: Dimensions are in Inches Surface Finish: N/A Linear Tolerance: N/A Angular Tolerance: N/A Debur and break sharp edges
		Drawing No: A501-8-0201	Drawing Version: V1.01	A4 Sheet: 1 of 1

1

2

3

4

5

6