



TW3430/TW3432 GPS/GLONASS Timing Antennas

The TW3430/TW3432 are professional grade GNSS antennas covering the GPS L1, GLONASS L1 and SBAS (WAAS, EGNOS & MSAS) frequency bands (1574 to 1606 MHz). They are especially designed for precision timing applications and offer excellent circular polarized signal reception, multipath rejection and out of band signal rejection.

The TW3430/TW3432 feature a highly circular dual-feed wideband patch element, with a two stage Low Noise Amplifier, comprised of one input LNA per feed, a mid-section combining circuit and SAW. This configuration provides an excellent axial ratio that is constant across the full frequency band. An optional tight pre-filter is available with part number TW3432 to protect against saturation by high level sub-harmonics and L-Band signals.

The TW3430/TW3432 are housed in a permanent mount industrial-grade weather-proof enclosures with a conical shaped radome, and a TNC Jack (female) connector.

Applications

- GPS / GLONASS Fixed Timing
- High Accuracy & Mission Critical Global Positioning
- Military & Security
- Law Enforcement & Public Safety
- Fleet Management & Asset Tracking

Features

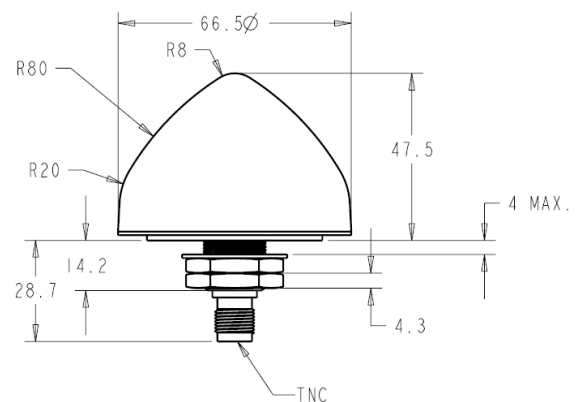
- Great axial ratio: 1 typ., 3 dB max
- Low noise LNA: $\leq 1\text{dB}/3.5\text{dB}$ typ TW3430/TW3432
- High rejection mid-section SAW filter
- Available sharp pre-filter (TW3432)
- LNA gain: 28 dB/26dB min TW3430/TW3432.
- Low current: 16 mA typ.
- Wide voltage input range: 2.5 to 5.5 VDC
- IP67 weather proof housing
- Available flat-top radome (Mobile Apps)

Benefits

- Excellent multipath rejection
- Increased system accuracy
- Excellent signal to noise ratio
- Exceptional out-of-band signal rejection
- Ideal for harsh environments
- RoHS compliant



TW3430/3430 Dimensions (mm)





TW3430/TW3432 GPS/GLONASS Timing Antenna Specifications

Antenna

Architecture	Dual, Quadrature Feeds
1 dB Bandwidth	32 MHz
Antenna Gain (with 100mm ground plane)	4.25 dBic
Axial Ratio (over full bandwidth)	1 dB typ., ≤3 dB max.

Electrical

Architecture	One LNA per feed line, mid section SAW filter	
Filtered LNA Frequency Bandwidth	1574 to 1606 MHz	
Polarization	RHCP	
LNA Gain	28 dB min., 1575.42 to 1606 MHz, TW3430 26dB Min 1575.42 to 1606 MHz, TW3432	
Gain flatness	+/- 2 dB, 1575 to 1605 MHz	
Out-of-Band Rejection	<1500 MHz	>32 dB (TW3430) >50dB (TW3432)
	<1550 MHz	>25 dB >50dB
	>1640 MHz	>35 dB >70dB
VSWR (at LNA output)	<1.5:1	
Noise Figure	1 dB typ. TW3430	3.5dB typ. TW3432
Supply Voltage Range (over coaxial cable)	2.5 to 10VDC nominal	
Supply Current	16 mA typ.	
ESD Circuit Protection	15 KV air discharge	

Mechanicals & Environmental

Mechanical Size	66.5 mm dia. x 47.5 mm H (radome)
Connectors	TNC Jack (female)
Operating Temp. Range	-40 to +85 °C
Enclosure	Radome: ASA Plastic, Base: Zamak White Metal
Weight	140 g
Attachment Method	L bracket or 3/4" (19mm) through hole mount
Environmental	IP67 and RoHS compliant
Shock	Vertical axis: 50 G, other axes: 30 G
Vibration	3 axis, sweep = 15 min, 10 to 200 Hz sweep: 3 G
Warranty	One year, parts and labour

Ordering Information

TW3430 - Dark gray radome, TNC connector	32-3430-00-00
TW3430 - white radome, TNC connector	32-3430-00-01
TW3432 - Dark gray radome, TNC connector	32-3432-00-00
TW3432 - white radome, TNC connector	32-3432-00-01

Tallysman Wireless Inc

106 Schneider Road, Unit 3
Ottawa ON K2K 1Y2 Canada
Tel 613 591 3131
Fax 613 591 3121
sales@tallysman.com

The information provided herein is intended as a guide only and is subject to change without notice. This document is not to be regarded as a guarantee of performance. Tallysman Wireless Inc. hereby disclaims any or all warranties and liabilities of any kind. © 2011 Tallysman Wireless Inc. All rights reserved.

Rev 1_2