



G3ANT-3XXX ANTENNA FAMILY

FRPA-Footprint GNSS Antenna

The G3Ant-3XXX product family receives Global Navigation Satellite System (GNSS) signal reception through multi-constellation reception. This G3 antenna includes coverage across three frequency bands: GLONASS L1, GPS L1 plus Galileo E1 and L-Band plus BeiDou B1. The Fixed Reception Pattern Antenna (FRPA) mounting footprint provides easy integration onto new and existing platforms. The rugged enclosure can withstand harsh environmental conditions seen in military, aerospace and other applications.

The product family is available in passive and active (amplified) configurations. The active configurations include two-stage ceramic and surface acoustic wave (SAW) filtering for sharp band edges and linearity within the GNSS bands. The upper and lower frequency bands are separately amplified and filtered to ensure operation in high ambient interference environments. The passive configurations are best suited to applications where the antenna is positioned close to the GNSS receiver.

Antcom can customize this product family to meet your specific requirements. Please contact us for more information about customization options.

BENEFITS

- Standard FRPA mounting footprint for easy integration
- Multi-constellation GNSS coverage for assured position, navigation and timing

FEATURES

- GPS L1, Galileo E1/E2, GLONASS L1, Beidou B1, and L-Band support
- FRPA footprint with thru-hole mount or bottom-mount
- High filtering for out-of-band rejection
- Passive or active (amplified) configurations available
- Active configurations offer 2-stage integrated bandpass filtering with diode limiters



OPTIONS

COLOR	<ul style="list-style-type: none">• Gloss White• Lusterless Gray• Camo Green• Lusterless Black• Tan
CONNECTOR	<ul style="list-style-type: none">• SMA• BNC• Type N• TNC
LNA GAIN	<ul style="list-style-type: none">• With 33 dB LNA• With 40 dB LNA• Without LNA

ELECTRICAL

Frequency Range:	
L-Band B1 BeiDou	1545 - 1610 MHz 1561.098 ± 10 MHz
L1 GPS E1 Galileo	1575.42 ± 15 MHz 1575.42 ± 17 MHz
L1 GLONASS	1609 ± 7.0MHz
VSWR	<2.0:1
Impedance	50 ohms
Polarization	RHCP

MECHANICAL & ENVIRONMENTAL

Designed to:

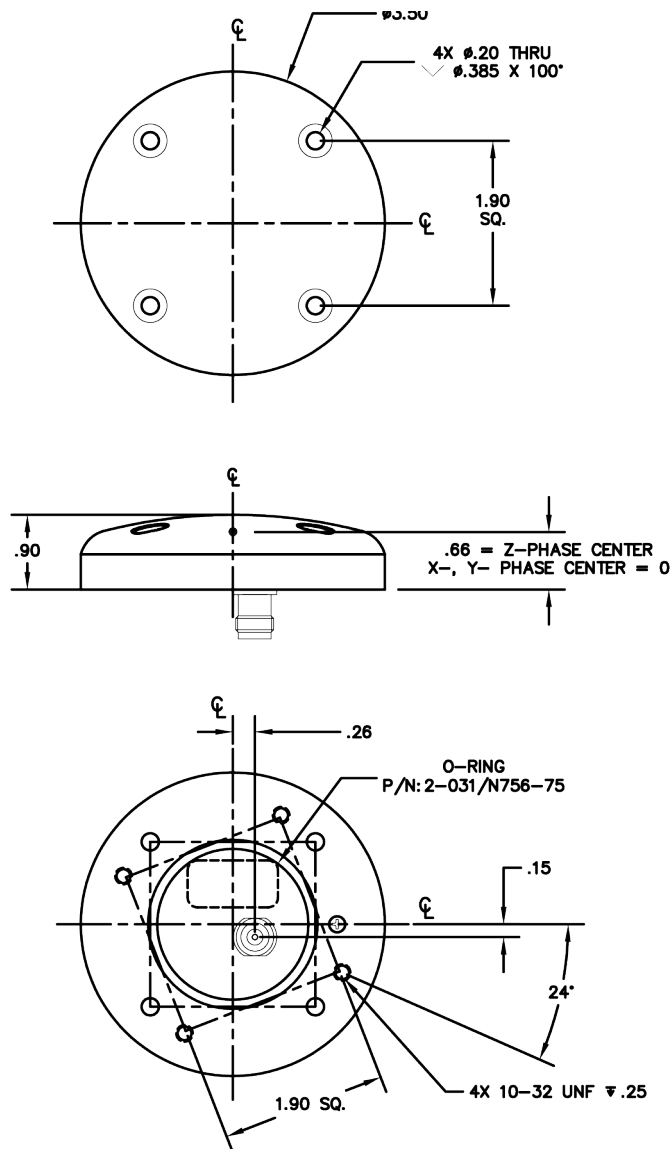
Weight	9.1 oz (Typical)
Temperature	-55°C TO +85°C
Altitude	70,000 ft
Vibration	> 30 Grms

TYPICAL LNA PERFORMANCE

LNA Gain	See Options Table
LNA Noise Figure	3.5 dB
LNA P1dB Out	+13 dBm
LNA DC Power	(3.8 - 15) V <40 mA

LIMITING & FILTERING

Power Handling	1 Watt CW
----------------	-----------



PART NUMBER DECODER

G3Ant-3XXX

- LNA Gain**
 - A = With 33dB LNA
 - A4 = With 40dB LNA
 - P = Without LNA
- Connector**
 - S = SMA
 - B = BNC
 - N = Type N
 - T = TNC
- Color (PER AMS-STD-595)**
 - 1 = Gloss White #17925
 - 2 = Lusterless Gray #36320
 - 3 = Camo Green #34094
 - 4 = Lusterless Black #37038
 - 5 = Tan #33446



Contact NavtechGPS for product details. www.NavtechGPS.com
 +1-703-256-8900 • 800-628-0885 • info@navtechgps.com

