

## HC882 Triple Band Helical Antenna + L-band

Frequency Coverage: L1/L2/G1/G2/G3/E1/E5b/B1/B2 + L-band

### Overview

The lightweight HC882 helical antenna, which covers the GPS L1/L2, GLONASS G1/G2/G3, Galileo E1/E5b, and BeiDou B1/B2 frequency bands, as well as L-band correction services, is designed and crafted for precision positioning.

Weighing 37 g, the lightweight HC882 features a precision-tuned helix element that provides excellent axial ratios and operates without the requirement of a ground plane, making it ideal for a wide variety of applications including Unmanned Aerial Vehicles (UAVs).

The HC882 features an industry-leading low current, Low Noise Amplifier (LNA) that includes an integrated low-loss pre-filter to protect against harmonic interference from high amplitude interfering signals, such as 700 MHz band LTE and other near in-band cellular signals.

The HC882 is protected by a robust, military-grade plastic enclosure with an integrated SMA connector for screw-on mounting that securely seals the unit with an O-ring, complying with IP67 standards. The enclosure also provides three threaded holes in the base for secure attachment of the unit.



### Applications

- Autonomous, Unmanned Aerial Vehicles
- Precision GPS positioning
- Dual Frequency RTK receivers
- Mission-critical GPS timing
- Military & security
- Network timing and synchronization

### Features

- Very low noise preamp, 1.6 dB
- Axial ratio:  $\leq 0.5$  dB max.
- LNA gain 28 dB typ. or 35 dB typ.
- Low current: 15 mA typ. or 21 mA typ.
- ESD circuit protection: 15 kV
- Invariant performance from: +2.2 to 16 VDC

### Benefits

- Extremely lightweight (37 g)
- Ideal for RTK surveying systems
- Great multipath rejection
- Increased system accuracy
- Excellent signal to noise ratio
- IP67, REACH, and RoHS compliant

**About Tallysman:** With global headquarters and manufacturing in Ottawa, Canada, Tallysman is a leading manufacturer of high-precision antennas and components for Global Navigation Satellite System (GNSS) applications. Tallysman's mission is to support the needs of a new generation of positioning systems by delivering unprecedented antenna precision at competitive prices. Learn more at [www.tallysman.com](http://www.tallysman.com)

**Contact us:**  
[info@tallysman.com](mailto:info@tallysman.com)  
**T: +1 613 591-3131**

# HC882 Triple Band Helical Antenna + L-band

Frequency Coverage: L1/L2/G1/G2/G3/E1/E5b/B1/B2 + L-band

## Antenna

Architecture ..... Triple Frequency, RHCP Quadrifilar Helix

		Gain dBic typ. at Zenith	Axial Ratio dB at Zenith
<b>GNSS</b>			
GPS/QZSS	L1	2.4	≤ 0.5 max.
	L2	2.0	≤ 0.5 max.
	L5	-	-
GLONASS	G1	1.2	≤ 0.5 max.
	G2	2.5	≤ 0.5 max.
	G3	2.2	≤ 0.5 max.
Galileo	E1	2.4	≤ 0.5 max.
	E5a	-	-
	E5b	2.2	≤ 0.5 max.
	E6	-	-
BeiDou	B1	2.8	≤ 0.5 max.
	B2	2.2	≤ 0.5 max.
	B2a	-	-
	B3	-	-
IRNSS/NavIC	L5	-	-
QZSS	L6	-	-
L-band Services (1525 MHz - 1559MHz)		2.5	≤ 0.5 max.
<b>Satellite Communications</b>			
Iridium		-	-
Globalstar		-	-

## Mechanical

Mechanical Size ..... 62.4 mm (H) x 44.2 mm (Dia)  
 Available Connectors ..... SMA Male  
 Weight ..... 37 g  
 Enclosure ..... Radome and Base: EXL9330

## Environmental

Operating Temp. Range ... -40°C to +85°C  
 Vibration ..... 3-axis, sweep = 15 min, 10 to 200 Hz  
 sweep: 3 G  
 Shock ..... Vertical axis: 50 G, other axes: 30 G  
 Compliance ..... IP67, RoHS and REACH compliant

## Other

Warranty ..... One year – parts and labour

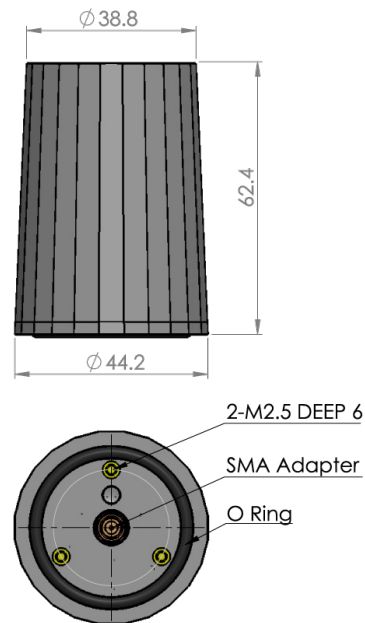
## Low Noise Amplifier (LNA) (Measured a Vcc = 3V, Temperature=25°C)

Frequency Bandwidth ... 1525-1606 MHz, 1189-1254 MHz  
 Architecture ..... Pre-filtered

Out-of-Band Rejection ... **Upper Band:**  
 < 1400 MHz > 36 dB  
 < 1450 MHz > 44 dB  
 > 1700 MHz > 28 dB  
**Lower Band:**  
 < 1000 MHz > 63 dB  
 < 1100 MHz > 38 dB  
 < 1130 MHz > 30 dB

Gain ..... 28 dB typ. or 35 dB typ.  
 Noise Figure ..... 1.6 dB typ.  
 VSWR ..... <1.5:1 typ. 1.8:1 max.  
 Supply Voltage Range ..... +2.2 to 16 VDC  
 Supply Current ..... 15 mA typ. or 21 mA typ. at 25°C.  
 ESD Circuit Protection ... 15 kV air discharge  
 EMI Immunity ..... 50 V/m, excepting L1+/-100 MHz and L2  
 +/- 100 MHz

## HC882 Dimensions (mm)



## Ordering Information

HC882 - Triple Band Helical Antenna With L-band Services  
 Part Number: 33-HC882-xx, where xx = Gain in dB