



# *L1/L2GRRKPA-T*

## *GPS L1/L2/L5 Galileo/GLONASS*

### *Passive GPS Antenna*



+1-703-256-8900 or 800-628-0885  
info@NavtechGPS.com  
www.NavtechGPS.com



## **Multi-GNSS, Passive High Performance Antenna**

**GNSS Systems: 1150 - 1290 MHz (GPS L2/L5; GALILEO E5A/E5B/E6; GLONASS L2/L3; BEIDOU B2/B3)  
1500 - 1615 MHz (GPS L1; GALILEO E1; GLONASS L1; BEIDOU B1/B1-2)**

The GNSS-L125-PSTNC is a multi-GNSS high performance antenna designed to meet stringent AAR environmental standards. The antenna features a multi-stacked patch design covering global GNSS frequencies. This antenna is passive and has been designed for applications where the active electronics are collocated with the receiver as well as for reradiating GNSS applications. The antenna has a hermetic seal, is AAR tested and approved.

### **Features**

- Full Multi-GNSS Compatibility
- Passive RF Design
- AAR Compliant
- IP67 ingress protection

### **Applications**

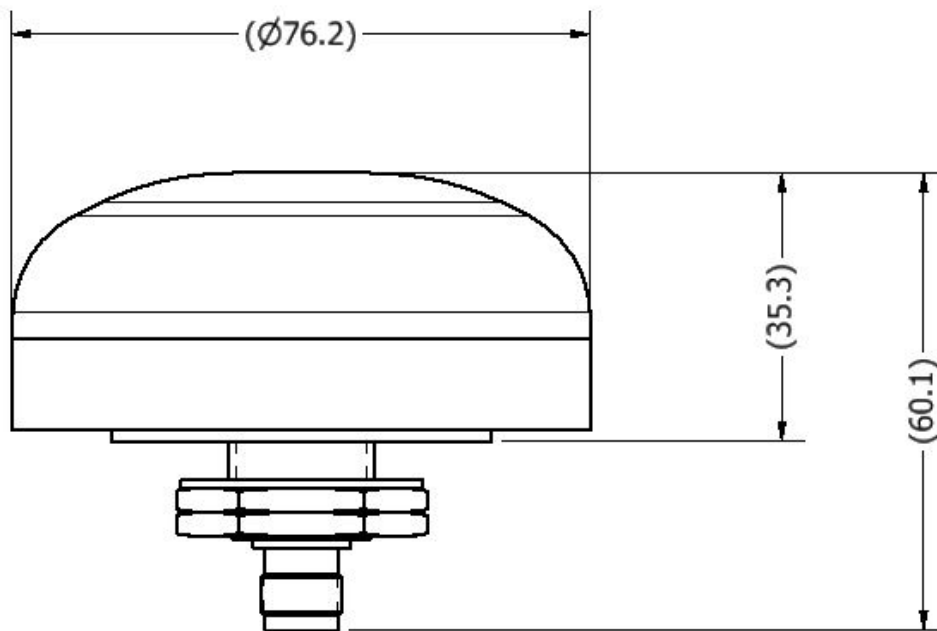
- PTC Rolling Stock Tracking
- Military Vehicle Tracking & Asset Tracking
- GNSS Indoor Reradiating Applications

## ELECTRICAL SPECIFICATIONS - ALL BANDS

Nominal Impedance	Polarization	ESD Protection	VSWR
50 ohms	Right Hand Circular	>15kV	<2.0:1 (typ.)

## MECHANICAL & ENVIRONMENTAL SPECIFICATIONS

Antenna Dimensions	Antenna Weight	Connector	Mounting Method	Radome Color	IP Rating	Radome Seal	Environmental Rating
3.0" D x 1.4" H (76.2 x 35.3 mm)	7.4 ounces	TNC Female	3/4" thru-hole or bracket	White	IP67	Gasket	AAR Compliant



**GNSS-L125-PSTNC**